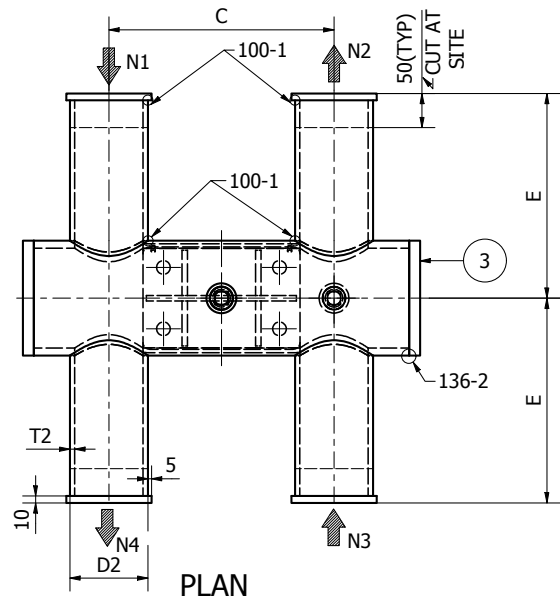
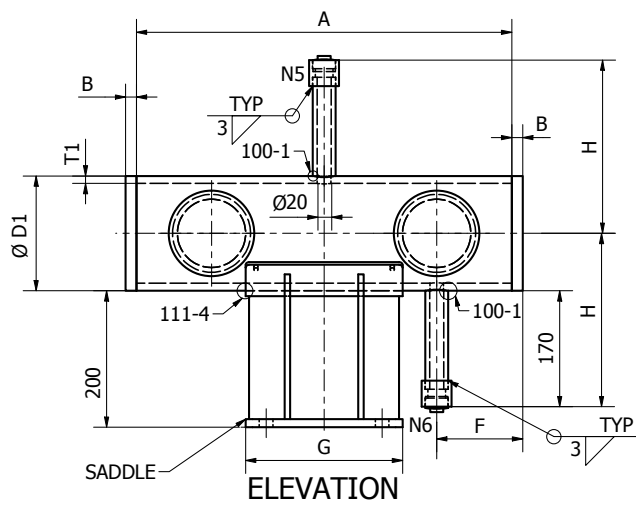


Thermo clutch



Model	D1	T1	D2	T2	A	B	C	E	F	G	H	N5=N6
TOB-100	73	9.153	48.3	7.14	450	16	320	220	81	200	206	1"
TOB-200	88.9	11.13	60.3	8.74	500	16	350	250	91	200	214	1"
TOB-500	114.3	8.56	88.9	7.62	550	16	360	300	111	210	227	1"
TOB-750	168.3	10.97	114.3	7.1	600	16	380	300	126	210	254	1"
TOB-1000	168.3	10.97	114.3	7.1	550	16	330	300	126	230	254	1"
TOB-1500	219.1	8.18	168.3	10.97	680	16	390	300	161	260	280	1"
TOB-2000	219.1	8.18	168.3	10.97	750	16	450	300	166	310	280	1"
TOB-2500	273.1	9.27	168.3	10.97	800	16	510	300	161	350	307	1"
TOB-3000	273.1	9.27	219.1	10.31	860	16	540	300	176	350	307	1"
TOB-4000	323.8	14.28	219.1	10.31	950	18	630	350	178	380	332	1"
TOB-5000	323.8	14.28	273.1	12.7	1100	18	720	350	208	420	332	1"