

Expansion Tank

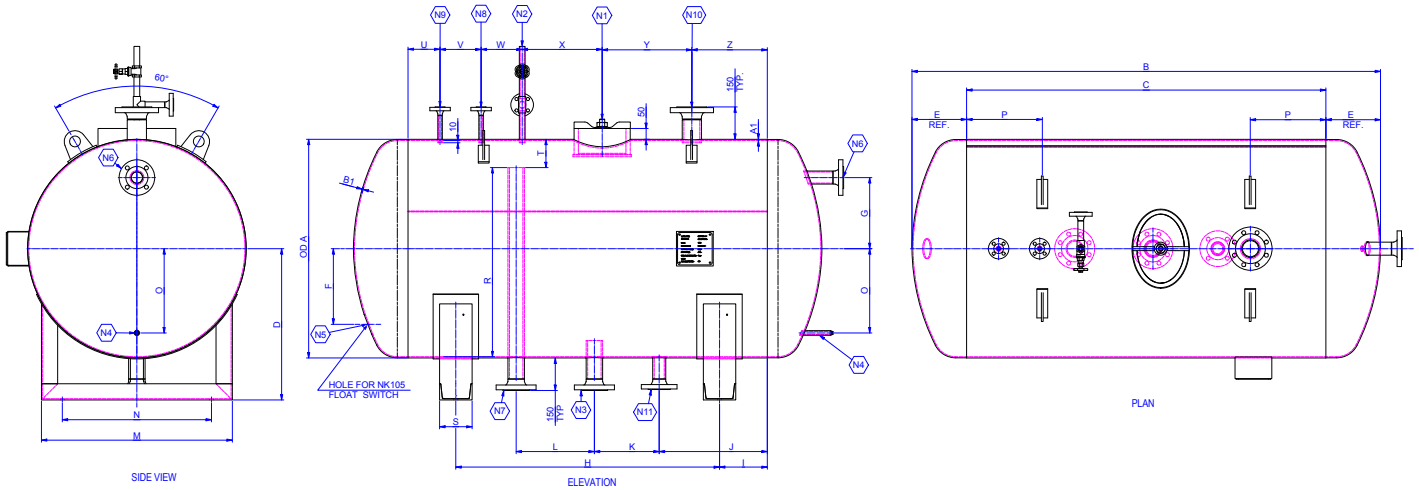


TABLE FOR TANK DIMENSIONS

CAPACITY	A	A1	B	B1	C	D	E (REF)	F	G	H	I	J	K	L	M	N	O	P	R	S (ISM)	T	U	V	W	X	Y	Z
500 L	712	6	1518	5	1128	550	190	220	231	830	149	310	225	273	620	460	289	250	597	100	109	62	140	150	244	280	252
1000 L	912	6	1750	5	1352	650	194	310	296	960	196	425	250	252	807	620	350	340	802	150	104	100	135	135	370	367	245
1500 L	1012	6	2168	5	1662	700	248	350	329	1220	221	500	300	362	883	690	390	350	875	150	131	148	190	190	370	415	349
2000 L	1112	6	2382	5	1836	750	268	395	361	1360	238	550	350	400	973	770	445	200	971	200	135	182	220	220	400	412	402
2500 L	1212	6	2504	5	1918	800	288	430	394	1400	259	600	300	500	1060	850	520	200	1056	200	150	189	240	240	400	420	429
3000 L	1312	6	2550	5	1936	850	307	475	426	1360	288	600	300	430	1143	920	475	200	1153	200	155	198	240	240	400	420	438
4000 L	1412	6	2910	6	2258	900	326	515	459	1650	304	858	300	480	1230	1000	435	200	1241	250	165	159	280	280	550	550	439
5000 L	1512	6	3154	6	1960	950	347	555	491	1800	330	950	350	480	1316	1080	645	250	1331	250	175	215	310	310	550	800	275
6000 L	1612	6	3284	6	2552	1000	366	595	524	1850	351	1022	350	480	1406	1080	605	300	1420	250	186	241	310	330	550	750	371
8000 L	1816	8	3520	6	2694	1100	407	685	590	1900	397	850	450	500	1580	1350	784	350	1612	250	196	250	350	350	550	550	644
10000 L	1916	8	4066	6	3200	1250	427	700	623	2324	438	1000	600	650	1673	1200	800	438	1641	300	267	350	425	600	600	600	625
12000 L	1916	8	4516	6	3650	1250	427	700	623	2450	600	1100	700	650	1673	1200	800	625	1641	300	267	475	425	475	650	825	800
15000 L	1916	8	5870	6	5000	1250	429	700	623	3400	800	1500	1000	1050	1673	1200	800	800	1641	300	267	500	425	450	1125	1500	1000

TABLE FOR NOZZLES

CAPACITY	EXPANSION TANK HOLD UP VOLUME (Ltr.)	DRY WT (Kg)	N1		N2 VENT	N3 EXPANSION LINE	N4 TEST NOZZLE	N5 FLOAT SWITCH	N6 SAFETY VALVE	N7 OVERFLO W	N8 PRESSURE SWITCH	N9 NITROGEN INLET	N10 VAPOUR LINE	N11 DRAIN
			MANHOLE / HEAD HOLE	MANHOLE / HEAD HOLE										
500 L	431 L	259	100 x 150	100 x 150	DN 20	DN 65	DN 15	DN 80	DN 50	DN 65	DN 15	DN 15	DN 65	DN 25
1000 L	934 L	440	320 x 220	320 x 220	DN 20	DN 65	DN 15	DN 80	DN 50	DN 65	DN 15	DN 15	DN 65	DN 50
1500 L	1293 L	511	320 x 220	320 x 220	DN 20	DN 65	DN 15	DN 80	DN 50	DN 65	DN 15	DN 15	DN 80	DN 50
2000 L	1734 L	611	320 x 220	320 x 220	DN 20	DN 65	DN 15	DN 80	DN 50	DN 65	DN 15	DN 15	DN 80	DN 50
2500 L	2166 L	684	320 x 220	320 x 220	DN 20	DN 65	DN 15	DN 80	DN 50	DN 65	DN 15	DN 15	DN 80	DN 50
3000 L	2604 L	743	320 x 220	320 x 220	DN 20	DN 65	DN 15	DN 80	DN 50	DN 65	DN 15	DN 15	DN 80	DN 50
4000 L	3481 L	1015	420 x 320	420 x 320	DN 65	DN 65	DN 15	DN 80	DN 50	DN 65	DN 15	DN 15	DN 80	DN 50
5000 L	4349 L	1133	420 x 320	420 x 320	DN 65	DN 65	DN 15	DN 80	DN 50	DN 65	DN 15	DN 15	DN 80	DN 50
6000 L	5163 L	1231	420 x 320	420 x 320	DN 65	DN 65	DN 15	DN 80	DN 50	DN 65	DN 15	DN 15	DN 80	DN 50
8000 L	7023 L	1736	420 x 320	420 x 320	DN 65	DN 65	DN 15	DN 80	DN 50	DN 65	DN 15	DN 15	DN 80	DN 50
10000 L	9935 L	2113	420 x 320	420 x 320	DN 65	DN 65	DN 15	DN 80	DN 50	DN 80	DN 15	DN 15	DN 80	DN 50
12000 L	11550 L	2282	420 x 320	420 x 320	DN 65	DN 65	DN 15	DN 80	DN 50	DN 80	DN 15	DN 15	DN 80	DN 50
15000 L	13556 L	2925	420 x 320	420 x 320	DN 65	DN 65	DN 15	DN 80	DN 50	DN 80	DN 15	DN 15	DN 80	DN 50