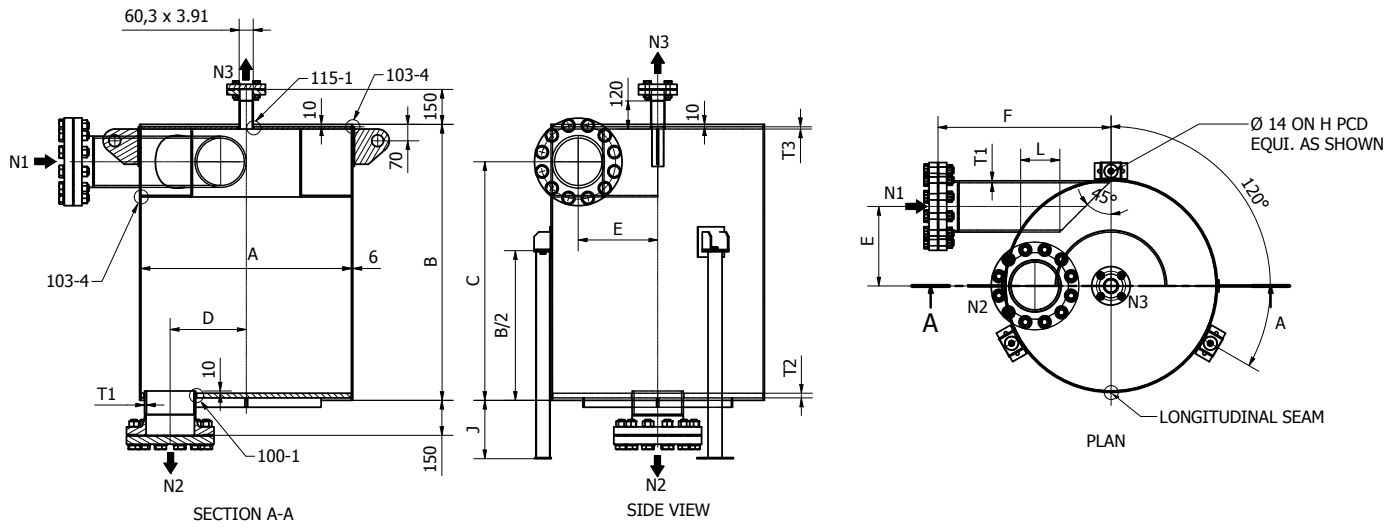


# Dearator tank



FLOW RATE m3/hr	DRY Wt. IN kg.	HYDRO Wt. IN kg.	N1-DN	N2-DN	N3-DN
			PN 40	PN 40	PN 40
5 to 19	55	80	40	40	50
20 to 49	70	110	80	80	50
50 to 75	110	200	100	100	50
76 to 119	160	190	150	150	50
120 to 179	190	390	150	150	50
180 to 300	350	900	200	200	50

FLOW RATE m3/hr	ØA	B	C	D	E	F	G	H	I	J	K	T1	T2	T3	L
5 to 19	300	450	400	105	120	347	80	380	150	235	187	3.68	8	8	67
20 to 49	400	450	380	140	150	410	118	480	180	235	240	5.49	8	8	81
50 to 75	500	600	515	180	185	517	148	580	230	260	302	6.02	8	8	101
76 to 119	600	650	539	200	210	602	200	680	284	235	366	7.11	8	8	104
120 to 179	600	950	828	200	210	602	224	780	300	245	374	7.11	8	8	104
180 to 300	900	1180	1020	325	340	740	300	880	460	250	567	8.18	20	10	167