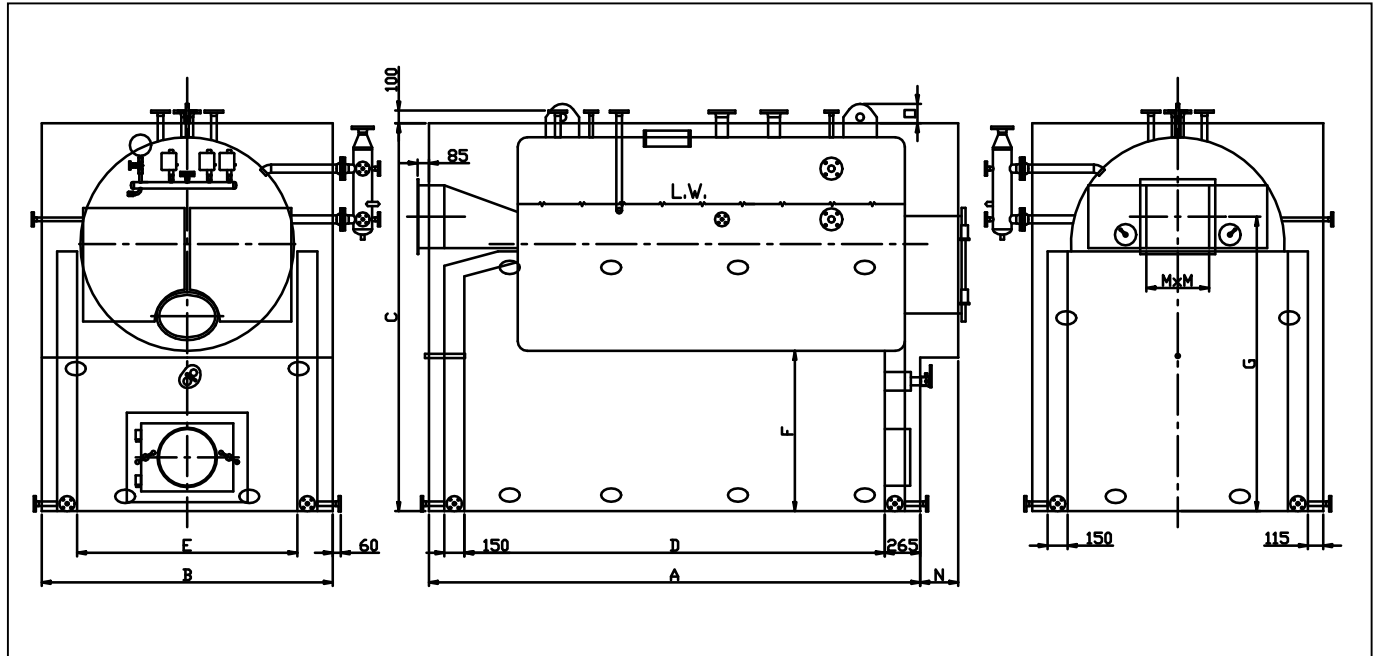


# DHF

## High Pressure Steam Boiler

### Dimension Drawing



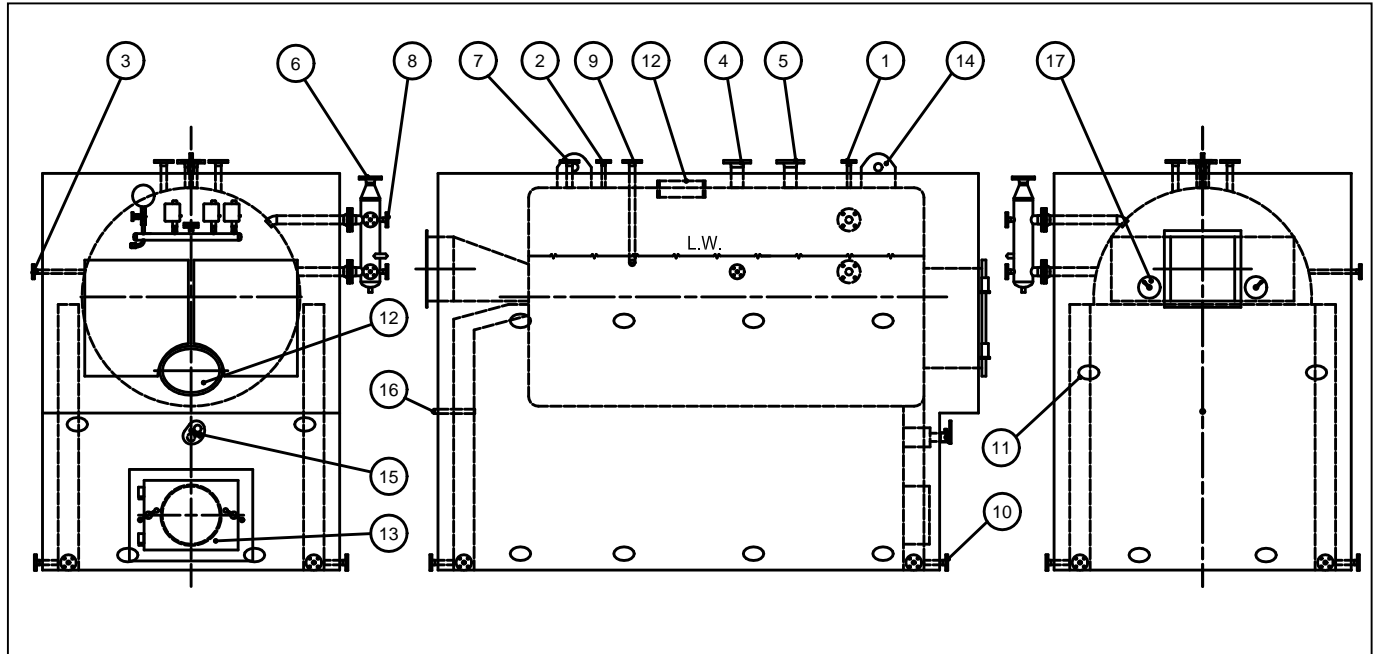
	Nr.	1	2	3	4	5	6	7	8	9	10	11	12	
<b>Steam generation</b>	<b>t/h</b>	0,8	1,0	1,25	1,6	2,0	2,5	3,15	4,0	5,0	6,3	8,0	10,5	
<b>Heat output</b>	<b>kW</b>	525	650	800	1050	1300	1600	2050	2550	3250	4050	5200	6800	
<b>A</b>	mm	2980	3080	3080	3180	3680	3780	4230	4330	5030	5230	5430	6560	
<b>B</b>	mm	1860	1980	2080	2180	2180	2280	2380	2480	2680	2780	2980	3260	
<b>C</b>	mm	2165	2265	2465	2665	2765	2965	3065	3120	3365	3665	3965	3965	
<b>D</b>	mm	2350	2450	2450	2550	3050	3150	3600	3700	4400	4600	4800	5900	
<b>E</b>	mm	1250	1350	1450	1550	1550	1650	1750	1850	1950	2150	2350	2600	
<b>F</b>	mm	800	800	900	1000	1100	1200	1200	1200	1300	1400	1500	1600	
<b>G</b>	mm	1530	1600	1710	1880	2005	2205	2280	2300	2520	2645	2990	2905	
<b>M</b>	mm	260	300	330	370	420	470	525	590	660	740	830	930	
<b>N</b>	mm	285	285	285	285	285	285	285	285	285	285	285	285	
<b>O</b>	mm	145	145	145	145	145	145	165	165	165	165	165	165	
<b>Water capacity to L.W.</b>	m <sup>3</sup>	3,0	3,4	3,7	4,2	5,1	5,8	7,0	8,1	10,2	12,0	14,2	18,9	
<b>Steam chest</b>	m <sup>3</sup>	0,5	0,67	0,84	1,06	1,22	1,5	1,86	2,12	2,68	3,86	5,13	7,16	
<b>Weight</b>	<b>8,3 bar</b>	ton	5,0	5,5	6,1	6,9	7,6	8,7	10,0	11,0	13,3	15,2	17,5	24,0
<b>Weight</b>	<b>12,3 bar</b>	ton	5,5	6,1	6,7	7,8	9,0	10,0	11,6	13,5	16,0	18,5	22,3	29,0

The manufacture reserves the right to make alterations. 31-10-17

# DHF

## High Pressure Steam Boiler

### Branch Arrangement



	Nr.	1	2	3	4	5	6	7	8	9	10	11	12
<b>Steam generation</b>	<b>t/h</b>	0,8	1,0	1,25	1,6	2,0	2,5	3,15	4,0	5,0	6,3	8,0	10,5
<b>Heat output</b>	<b>kW</b>	525	650	800	1050	1300	1600	2050	2550	3250	4050	5200	6800
<b>Pos</b>	<b>Connections</b>												
<b>1</b>	<b>Manometer</b>	DN	20	20	20	20	20	20	20	20	20	20	20
<b>2</b>	<b>Air valve</b>	DN	20	20	20	20	20	20	20	20	20	20	20
<b>3</b>	<b>Desalting valve</b>	DN	20	20	20	20	20	20	20	20	20	20	20
	<b>Water sampling</b>												
<b>4</b>	<b>Steam valve</b>	DN	50	65	65	80	80	100	100	125	125	150	200
<b>5</b>	<b>Water level control</b>	DN	100	100	100	100	100	100	100	100	100	100	100
<b>6</b>	<b>Water level control</b>	DN	-	-	-	-	-	-	65	65	65	65	65
<b>7</b>	<b>Safety valves 8,3 bar</b>	DN	2x25	2x25	2x25	2x25	2x25	2x32	2x32	2x40	2x40	2x50	2x65
<b>7</b>	<b>Safety valves 12,3 bar</b>	DN	2x25	2x25	2x25	2x25	2x25	2x32	2x32	2x40	2x40	2x50	2x50
<b>8</b>	<b>Water inspection</b>	DN	4x20	4x20	4x20	4x20	4x20	4x20	4x20	4x20	4x20	4x20	4x20
<b>9</b>	<b>Feed/non-return valve</b>	DN	25	25	32	32	32	32	40	40	40	50	65
<b>10</b>	<b>Blowdown valve</b>	DN	4x25	4x25	4x25	4x25	4x25	4x25	4x25	4x25	4x25	4x25	4x25

Optional position on right or left hand side of the boiler of Pos. Nos. 3, 6, 8.

Pos		Pos	
<b>11</b>	<b>Head hole 220 x 320 mm</b>	<b>15</b>	<b>Inspection hole</b>
<b>12</b>	<b>Man hole 425x535 mm</b>	<b>16</b>	<b>Handling brackets</b>
<b>13</b>	<b>Access door (inspection)</b>	<b>17</b>	<b>Cleaning opening</b>
<b>14</b>	<b>Lifting eyes</b>		

The manufacture reserves the right to make alterations.