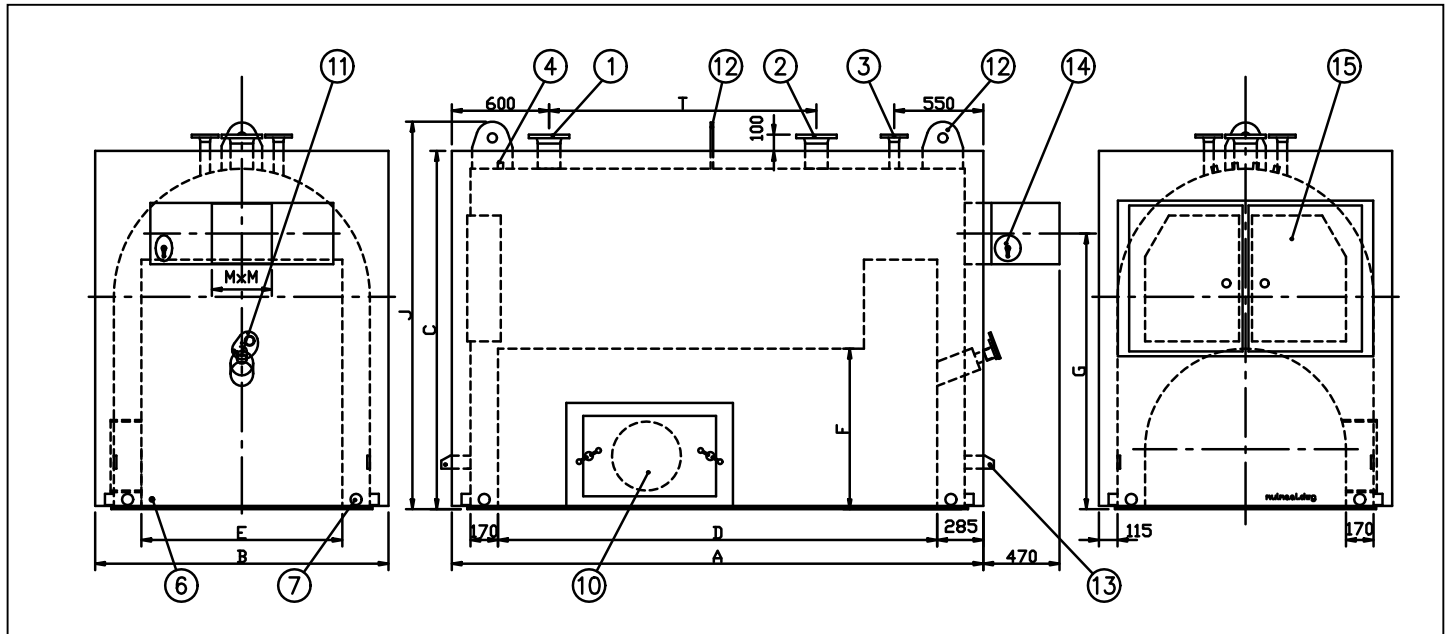


MULTIMISER

Low Temperature Hot Water Boiler

Dimension Drawings and Branch Arrangement



	Nr.	10	11	12	13	14	15	16	17	18	19	20	21	22	23	
Capacity *)	kW	220	275	350	425	560	725	880	1100	1400	1750	2200	2775	3500	4400	
A	mm	2780	2780	2980	2980	3180	3180	3280	3280	3830	3830	4330	4330	4830	4830	
B	mm	1270	1270	1570	1570	1570	1570	1810	1810	2080	2080	2340	2340	2700	2700	
C	mm	1515	1515	1650	1650	1710	1710	2210	2210	2400	2400	2900	2900	3300	3300	
D	mm	2210	2210	2410	2410	2610	2610	2710	2710	3260	3260	3760	3760	4260	4260	
E	mm	700	700	1000	1000	1000	1000	1240	1240	1510	1510	1770	1770	2130	2130	
F	mm	665	665	725	725	770	770	990	990	1071	1071	1340	1340	1553	1553	
G	mm	1200	1200	1335	1335	1335	1335	1700	1700	1800	1800	2215	2215	2485	2485	
J	mm	1710	1710	1840	1840	1900	1900	2400	2400	2600	2600	3100	3100	3500	3500	
M	mm	250	250	330	330	330	330	370	370	470	470	590	590	660	740	
Water content	m ³	2,2	2,1	3,1	3,0	3,3	3,2	5,2	5,1	7,6	7,3	11,2	10,7	16,5	15,7	
Weight	ton	2,4	2,6	3,2	3,5	3,6	3,9	5,4	5,8	7,4	8,0	10,8	11,6	15,5	16,7	
Pos																
1/2	Flow / Return	DN	65	65	80	80	100	100	125	125	150	150	200	200	200	
3	Safety 2x	DN	25	25	25	25	32	32	40	40	50	50	65	65	80	
4	Measuring 3/4 BSP, 4 pc.					12	Lifting eyes for boiler no.10-15 1 pc. no.16- 23 2 pc.									
6	Stand by 3/4 BSP					13	Lifting points 4 pc.									
7	Drain / Inspection 2 BSP, 8 pc.					14	ø140 Cleaning cover.									
10	Cinder door ø425mm.					15	Cleaning door(s) no.10-15 1 pc..., no.16-23 2 pc.									
11	Sight glass to furnace															

*) Capacities based on Wood, 20% moisture, λ 1,6,

The manufacture reserves the right to make alterations. 31-10-17