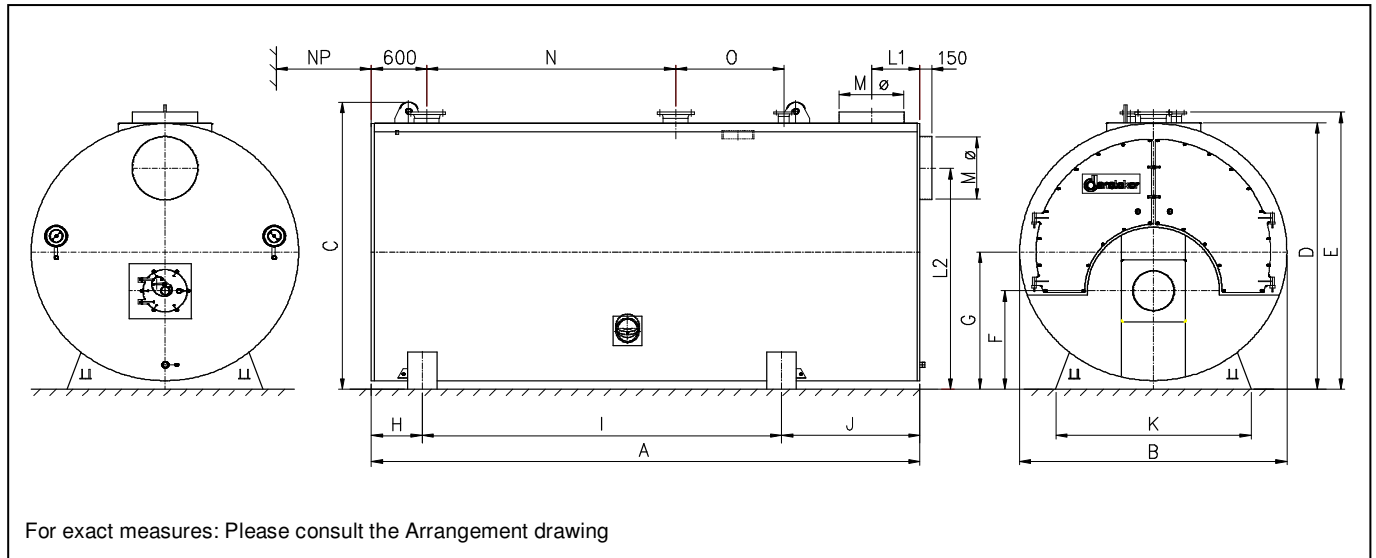


GLOBAL No.1-13

Low Temperature Hot Water Boiler
High Temperature Hot Water Boiler



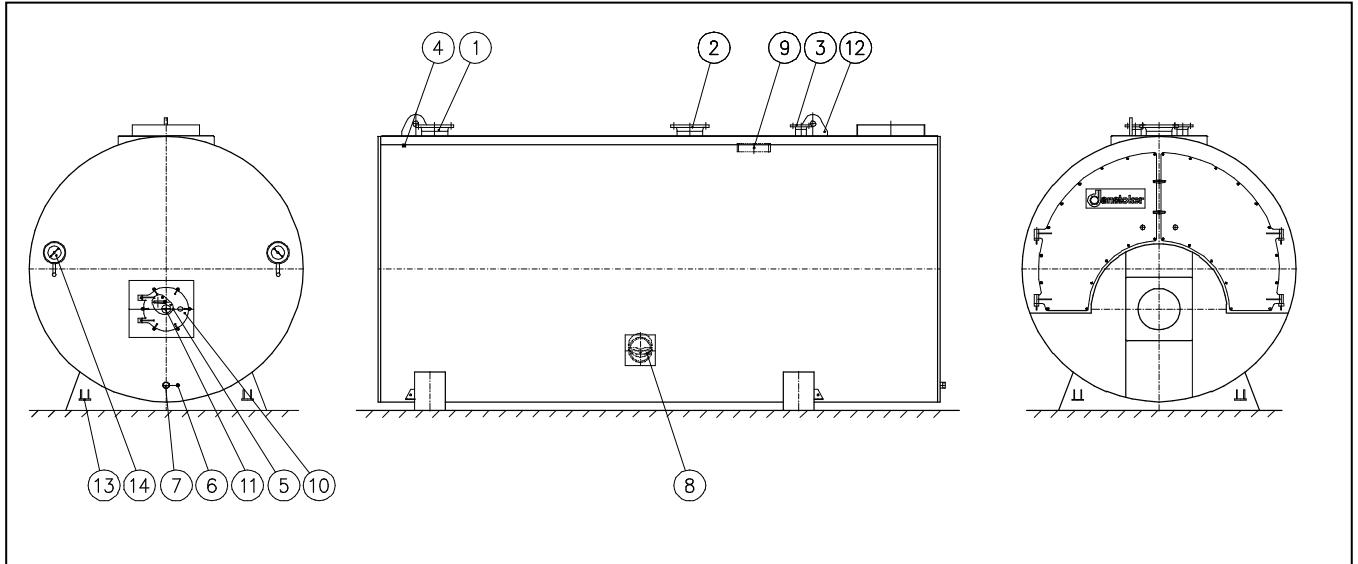
	Nr.	1	2	3	4	5	6	7	8	9	10	11	12	13
Heat Output	kW	1000	1250	1500	2000	2500	3000	3500	4250	5000	6000	7500	8500	10000
A	mm	3200	3350	3500	3900	4075	4350	4500	4850	5150	5450	5750	5950	6700
A og H (16 bar-g boilers)	mm	+350	+350	+350	+350	+350	+400	+400	+400	+400	+450	+450	+450	+450
B	mm	1690	1840	1840	1970	2040	2200	2290	2370	2480	2660	2830	2900	2980
C	mm	2020	2170	2170	2300	2370	2530	2630	2710	2820	3000	3170	3240	3320
D	mm	1805	1960	1960	2095	2165	2330	2400	2490	2595	2760	2940	3010	3095
E	mm	1920	2070	2070	2200	2270	2430	2520	2600	2710	2890	3060	3130	3210
F	mm	680	735	735	775	800	862	895	935	964	1030	1081	1113	1140
G	mm	945	1020	1020	1085	1120	1200	1245	1285	1340	1430	1515	1550	1590
H	mm	550	550	550	550	550	550	550	550	550	600	600	600	600
I	mm	1500	1650	1800	2200	2375	2575	2700	3050	3350	3500	3700	3800	4550
J	mm	1150	1150	1150	1150	1150	1225	1250	1250	1250	1350	1450	1550	1550
K	mm	1235	1345	1345	1440	1490	1610	1675	1730	1810	1940	2065	2120	2160
L1	mm	385	385	385	385	385	385	450	450	450	450	520	520	520
L2	mm	1520	1645	1645	1750	1795	1930	2020	2075	2160	2315	2460	2505	2560
Mø (inside diameter)	mm	250	300	300	350	400	450	450	500	550	600	650	700	750
N	mm	750	900	1050	1450	1625	1625	1600	1950	2100	2400	2600	2700	3450
NP	mm	1900	2030	2200	2580	2750	2930	3050	3400	3700	3900	4100	4200	4950
O	mm	875	875	875	875	875	1075	1075	1075	1175	1175	1175	1175	1175
Length furnace excl. VK	mm	2350	2500	2650	3050	3225	3425	3550	3900	4200	4450	4650	4750	5500
Lengths furnace incl. VK	mm	2725	2875	3025	3425	3600	3800	3950	4300	4600	4850	5150	5350	6100
Diameter furnace	mm	660	760	760	830	900	960	1022	1080	1130	1208	1310	1360	1410
Flue gas resistance (※)	mbar	5,0	4,5	6,0	6,5	7,0	7,5	8,0	8,0	8,0	8,0	10,0	11,0	12,5
Flue gas temp.. (※)	°C	205/2 40	205/ 240	205/ 240	205/ 240	205/2 40	205/ 240	205/ 240	205/ 240	205/ 240	205/ 240	205/ 240	205/ 240	205/ 240
Pressuredrop waterside @ Δt 30 C	mbar	35	25	30	25	35	50	35	50	25	30	50	25	35
Water content	m ³	2,71	3,35	3,55	4,71	5,2	6,8	7,45	8,55	10,2	12,6	14,9	15,1	19,0
Flue gas volume	m ³	2,0	2,5	2,6	3,3	4,0	4,6	5,6	6,9	7,7	9,3	11,5	12,3	15,5
Weight 4,0 bar-g	ton	3,1	3,8	3,9	4,7	5,2	6,3	7,0	8,5	9,0	10,9	13,2	14,0	16,6
Weight 6,0 bar-g	ton	3,2	3,9	4,0	4,8	5,4	6,6	7,6	8,7	9,8	11,8	13,7	15,2	18,1
Weight 10,0 bar-g	ton	3,8	4,5	4,7	5,6	6,3	7,7	8,9	10,2	11,5	13,8	16,1	18,9	21,2
Weight 16,0 bar-g	ton	4,6	5,6	5,9	6,9	7,8	9,8	11,1	12,8	13,9	16,9	19,4	20,8	27,0

(※) @ N-gas / gasolie O₂ _{tor} = 2,1%, t: 75/60 °C / 130/100 °C,

The manufacture reserves the right to make alterations. 06-09-10

GLOBAL No.1-13

Low Temperature Hot Water Boiler
High Temperature Hot Water Boiler



	Heat Output	Nr.	1	2	3	4	5	6	7	8	9	10	11	12	13
		kW	1000	1250	1500	2000	2500	3000	3500	4250	5000	6000	7500	8500	10000
Pos	Branch														
1	Flow	DN	80	100	100	125	125	125	150	150	200	200	200	250	250
2	Return	DN	80	100	100	125	125	125	150	150	200	200	200	250	250
3	Safety valve 4,0 Bar-g	DN	2 x 32	2 x 40	2 x 40	2 x 50	2 x 65	2 x 65	2 x 80	2 x 80	2 x 80	2 x 100	2 x 100	2 x 100	2 x 125
3	Safety valve 6,0 Bar-g	DN	2 x 32	2 x 32	2 x 40	2 x 40	2 x 50	2 x 50	2 x 65	2 x 65	2 x 65	2 x 80	2 x 80	2 x 100	2 x 100
3	Safety valve 10,0 Bar-g	DN	2 x 25	2 x 25	2 x 32	2 x 32	2 x 40	2 x 40	2 x 50	2 x 50	2 x 50	2 x 65	2 x 65	2 x 65	2 x 85
3	Safety valve 16,0 Bar-g	DN	2 x 25	2 x 25	2 x 25	2 x 32	2 x 32	2 x 32	2 x 40	2 x 40	2 x 40	2 x 50	2 x 50	2 x 65	2 x 65
4	Measuring 4 x	RG	3/4"	3/4"	3/4"	3/4"	3/4"	3/4"	3/4"	3/4"	3/4"	3/4"	3/4"	3/4"	3/4"
5	Measuring	RG	1/4"	1/4"	1/4"	1/4"	1/4"	1/4"	1/4"	1/4"	1/4"	1/4"	1/4"	1/4"	1/4"
6	Standstill shunt	RG	3/4"	3/4"	3/4"	3/4"	3/4"	3/4"	3/4"	3/4"	3/4"	3/4"	3/4"	3/4"	3/4"
7	Drain	RG	2"	2"	2"	2"	2"	2"	2"	2"	2"	2"	2"	2"	2"

Pos		Pos	
8	Head hole 220 x 320 mm	12	Lifting Eyes (2 pcs.)
9	Man hole 320 x 420 mm	13	Handling Brackets
10	Access door (Inspection)	14	Cleaning Covers
11	Inspection hole		

The manufacture reserves the right to make alterations.